



KIPFold 1000

ONLINE FAN-FOLD FOLDING SYSTEM



KIPFOLD 1000



The KIPFold 1000 is a compact but powerful online folder designed to easily, conveniently and quickly fan fold documents with KIP 70 series print systems. Folded documents packets are crisp and professional, ready for distribution. This in-line paper folder is environmentally friendly, making it ideal for decentralized production environments.



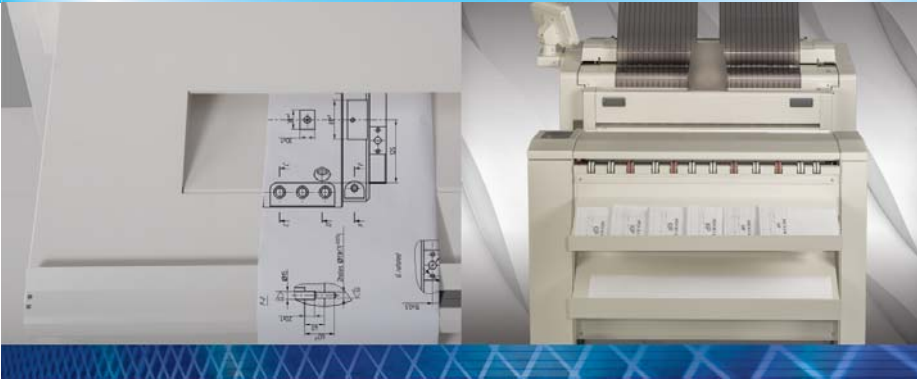
KIPFold 1000 with KIP 7170

Documents up to 36" / 930 mm wide by any length are easily handed for fast fan folding. In addition, fan-folded documents may be manually fed through the KIPFold 1000 to create finished fold packets in accordance with DIN, ANSI or ARCH* standard sizes. Folded documents packets are crisp and professional, ready for distribution. Unfolded documents are collected in the integrated catch bag, conveniently located underneath the main transfer bridge.

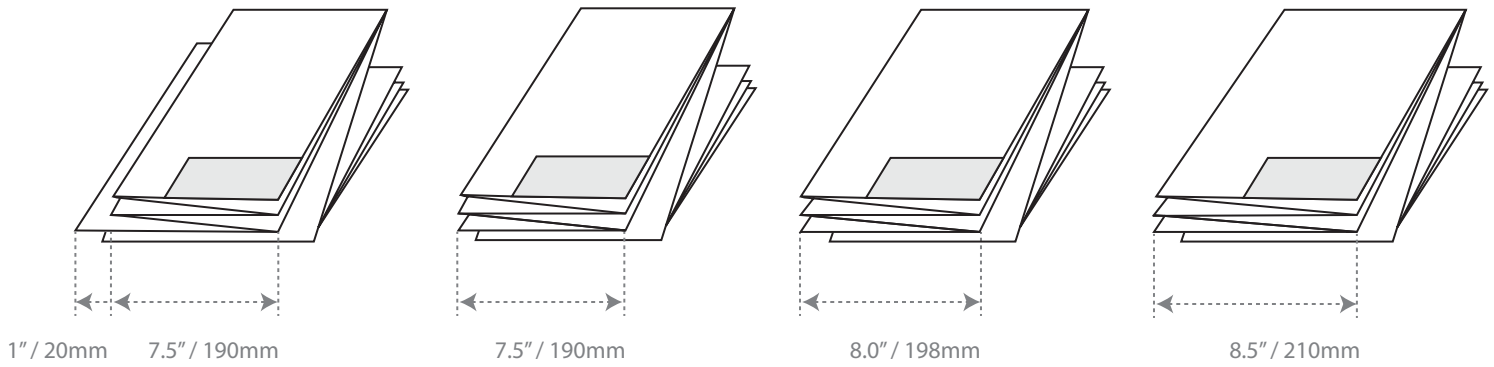
KIP software and application drivers provide a variety of advanced finishing options. Network and web based applications give users power over all fold parameters as well as the ability to select individual folding parameters at the workstation and store them as presets for future use. In addition, KIP Windows and AutoCAD Drivers feature full integration with KIPFold system features.

General	
KIP System Integration	KIP 7170/KIP7770/KIP7970
Paper Feed	Automatic Fan Fold/Manual Cross Fold
Fold Speed	8ft/min - 59ft/min / 42mm/sec - 300 mm/sec
Maximum Print Width	36" / 914mm
Folding Programs	Eight Primary/ Eight Cross
Paper Length	11" - 165ft / 297 mm - 50,000mm
Paper Width	11" - 36" / 297mm - 930mm
Paper Weight	16 - 28 lb Bond / 60 - 110 gr/m ²
Feed Height	25.6" - 33.5" / 650mm - 850mm
Dimensions	4.3 ft. (W) x 3.3 ft (H) x 4.4 ft. (L) / 1310 mm (W) x 1010mm (H) x 1355mm (L) Height of Bridge: 3.9 ft. / 1200mm
Weight	363 lb. / 165 kg.
Electrical Requirements	115/230 V; 50/60 Hz; 8.0 / 6.0A





KIPFold 1000 Eight Formats at the Press of a Button



The eight folding programmes can be individually programmed within the following ranges:

- **Package width:**
7.5", 8.0", 8.5", 9.5", 10", 11", 12" / 180mm - 420mm
- **Filing edge:**
1" / 0mm - 30mm
- **Cross fold:**
11", 12" / 200mm - 420mm (adjustable)



The values entered are saved after the system has been switched off and can be recalled at any time.

SCHEDULE YOUR DEMO OF A KIP – NOW AT

Clifford-Wald
A KIP Company

WWW.CLIFFORD-WALD.COM

Sales@clifford-wald.com

TEL: 847-598-0166

TOLL FREE: 800-575-1545

FAX: 847-598-0173

1600 East Golf Road, Suite 110 ■ Rolling Meadows, IL 60008

KIP is a registered trademark of the KIP Group. All other product names mentioned herein are trademarks of their respective companies.
All product features and specifications are subject to change without notice. Complete product specifications are available upon request. © 2013